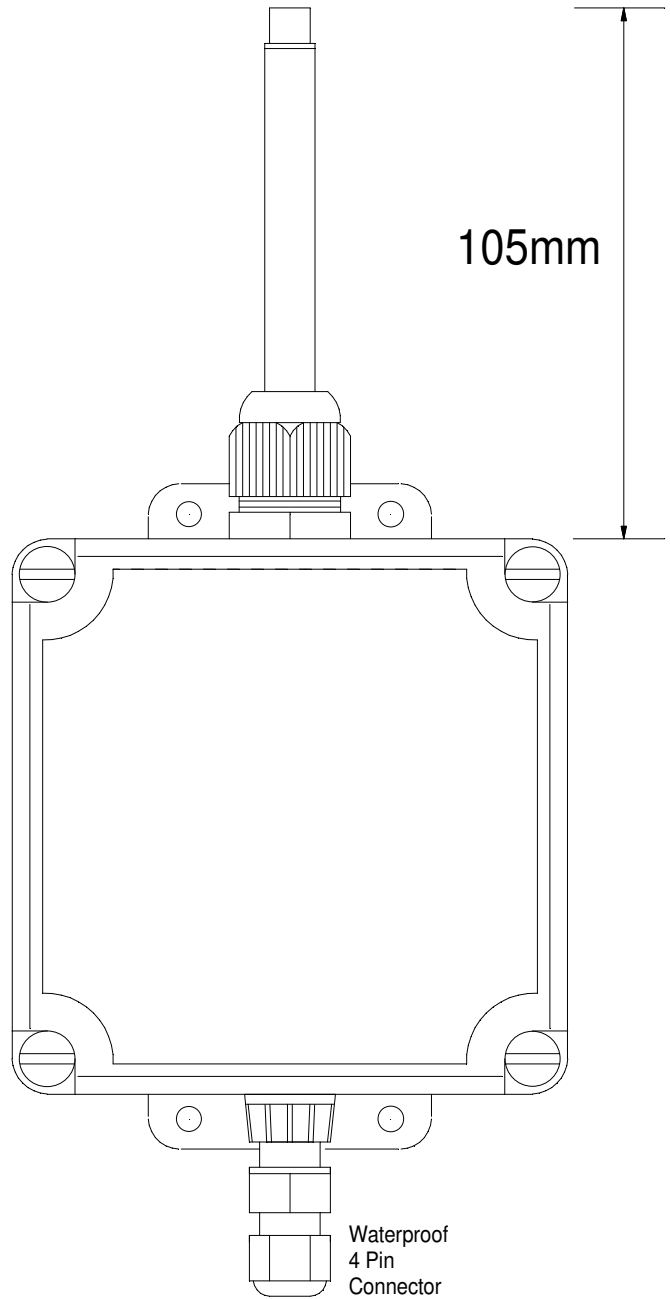
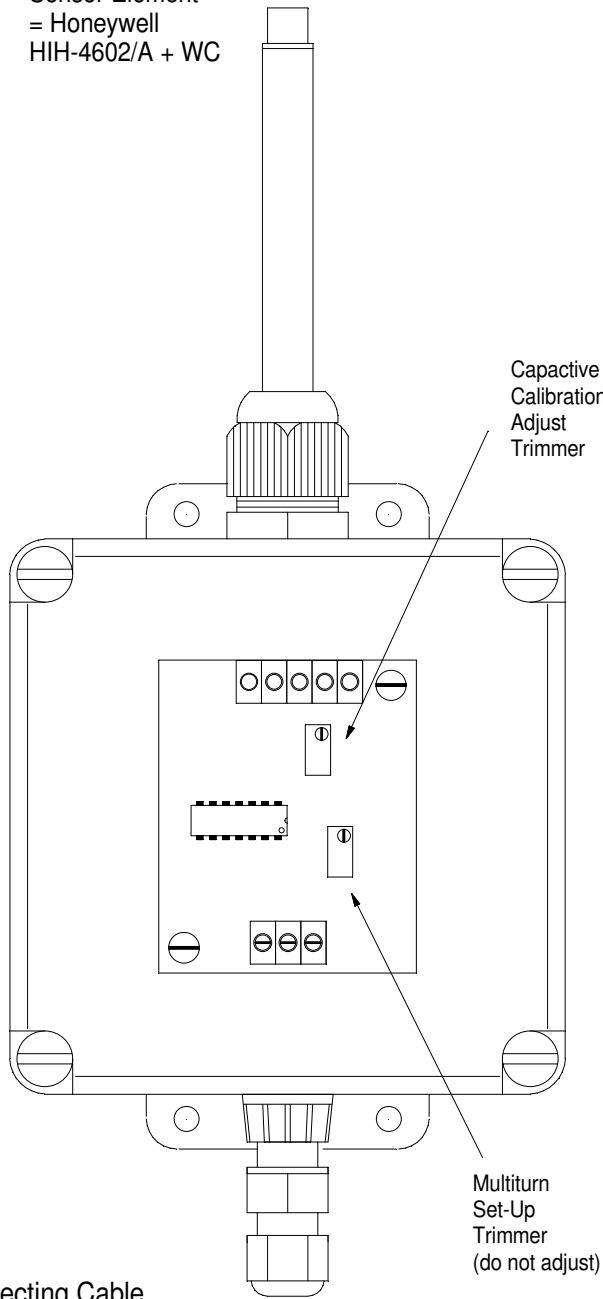


Model HC-H2

Sensor Element
= Honeywell
HIH-4602/A + WC

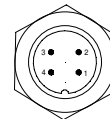
110mm

105mm



Connecting Cable
3 core 2183Y Flex.

Brown (Pin 1) = 17-24 volt unregulated supply
Blue (Pin 2) = Negative
Green/Yellow (Pin 4) = 0-10 v DC output
ie: 5 v = 50% RH



This sensor is adjusted for correct calibration before despatch.
(using factory supplied calibration points from Honeywell)
The calibration can be altered using the Capacitive trimmer only
as shown above.
It is recommended that Re-Calibration is only attempted if
the sensor has been placed in a controlled RH test chamber.



Farm Electronics Ltd.
Grantham, Lincs. 0476 591592

TITLE: FE HC-H2 0-10 Volt RH Sensor Detail

DATE: 12-03-10

NAME: ADDRESS:

DRAWN: P.J

SCALE: 1:1

PROD.No: 0000

DRAWING NO:

2364